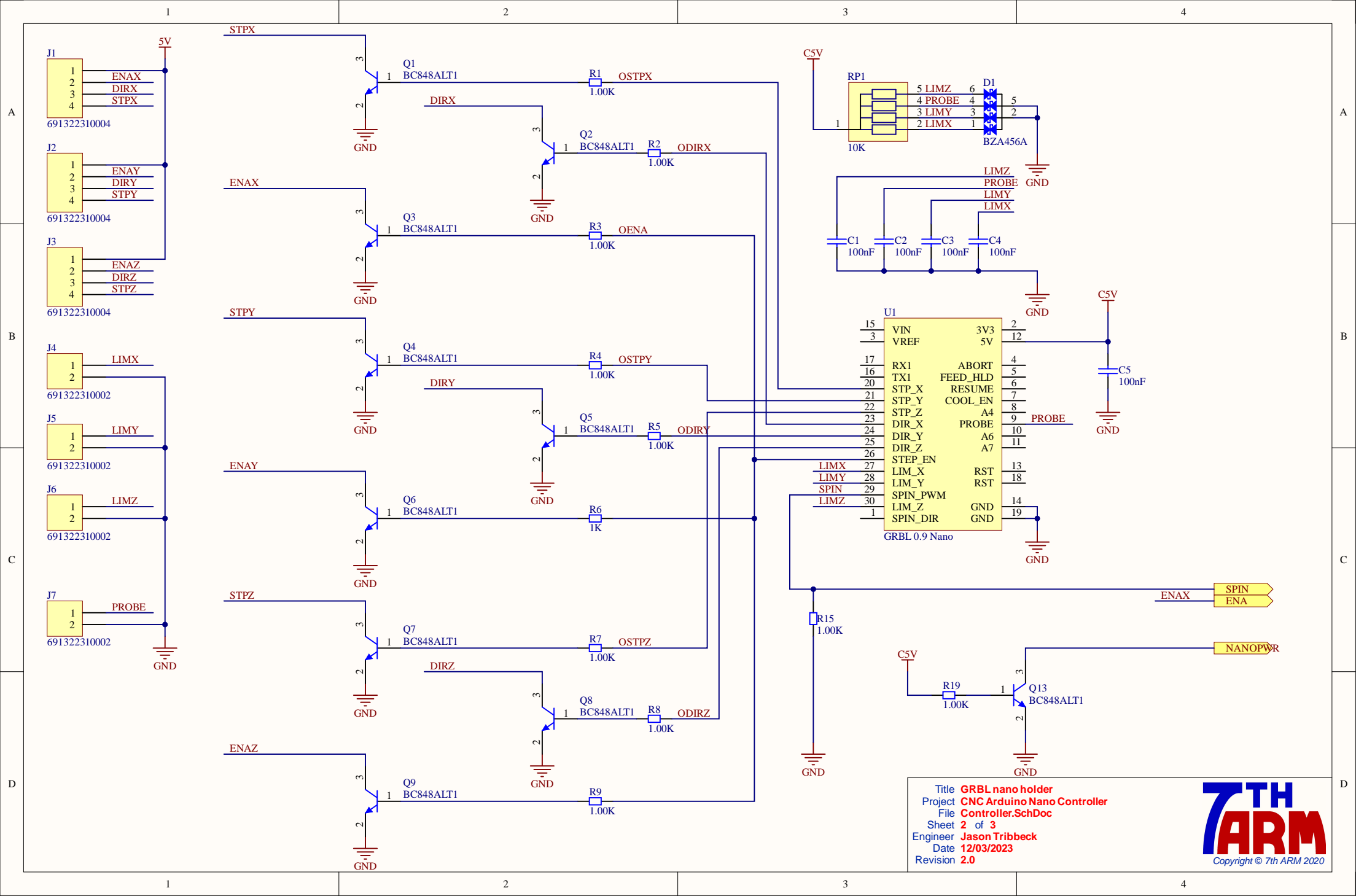


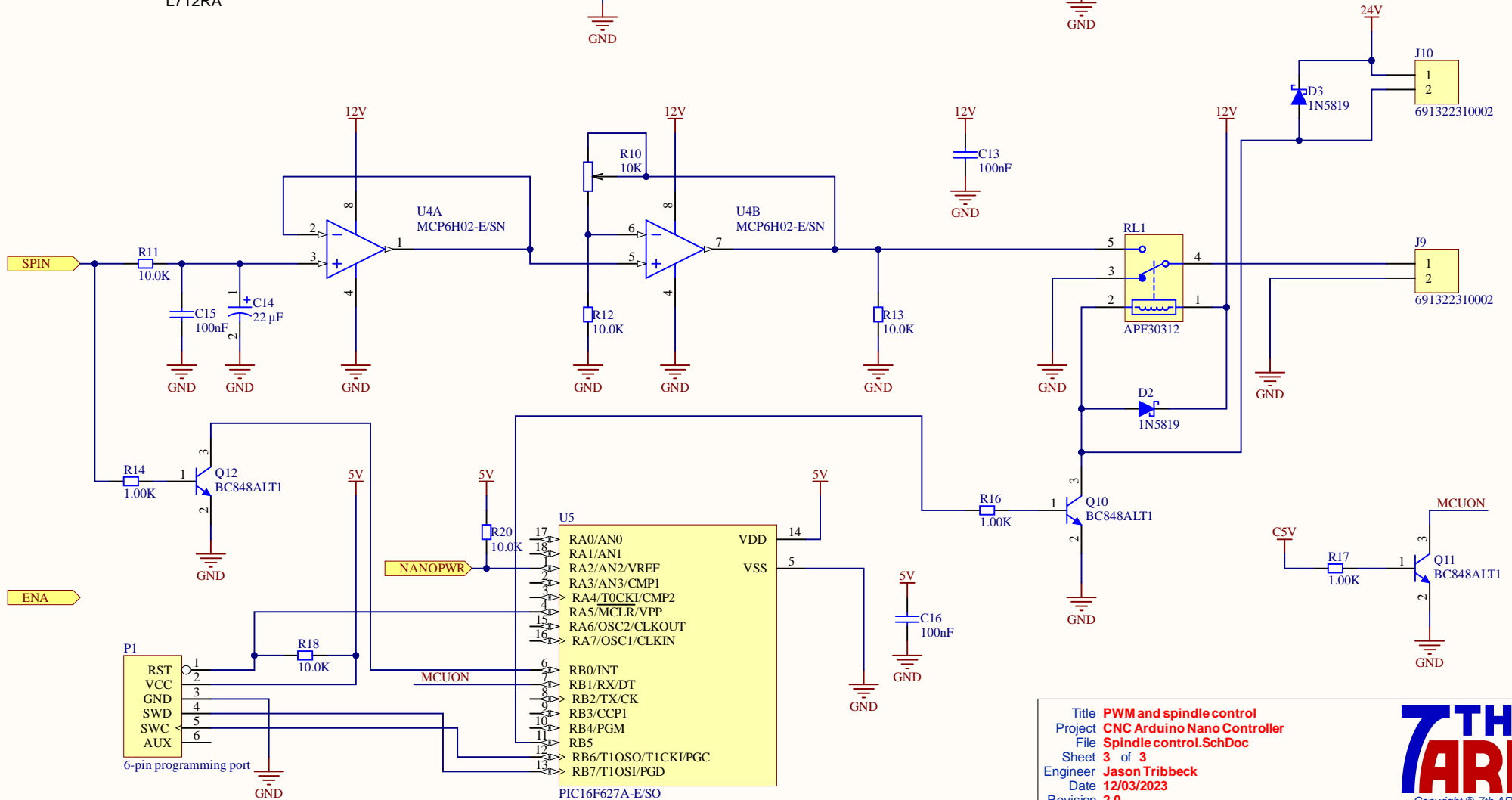
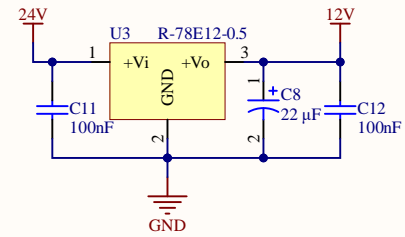
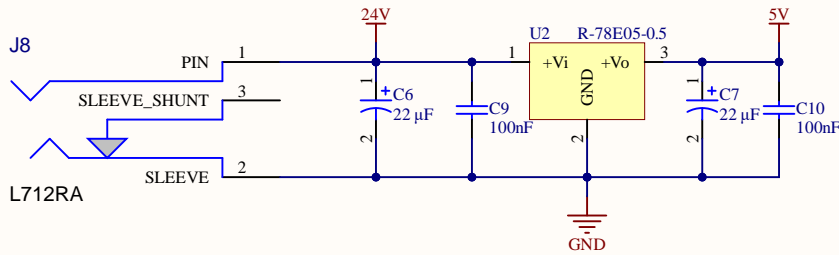
Title **Nano controller**  
 Project **CNC Arduino Nano Controller**  
 File **Nano Controller 2.SchDoc**  
 Sheet **1 of 3**  
 Engineer **Jason Tribbeck**  
 Date **12/03/2023**  
 Revision **2.0**





Title GRBL nano holder  
 Project CNC Arduino Nano Controller  
 File Controller.SchDoc  
 Sheet 2 of 3  
 Engineer Jason Tribbeck  
 Date 12/03/2023  
 Revision 2.0





Title **PWM and spindle control**  
 Project **CNC Arduino Nano Controller**  
 File **Spindle control.SchDoc**  
 Sheet **3 of 3**  
 Engineer **Jason Tribbeck**  
 Date **12/03/2023**  
 Revision **2.0**

